

# 2MP Low Light IP In Ceiling Plenum Dome Camera

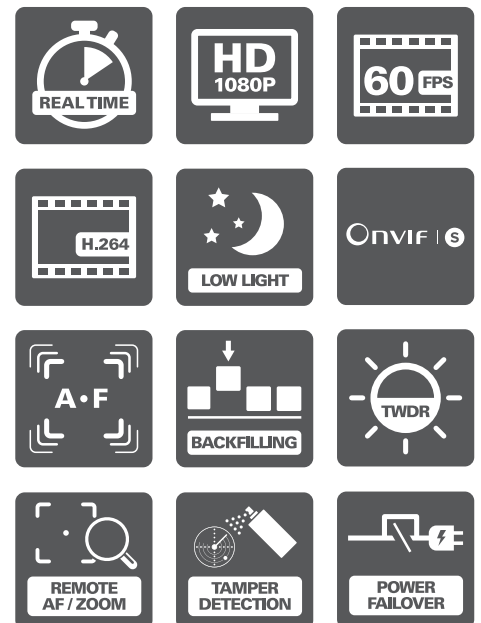
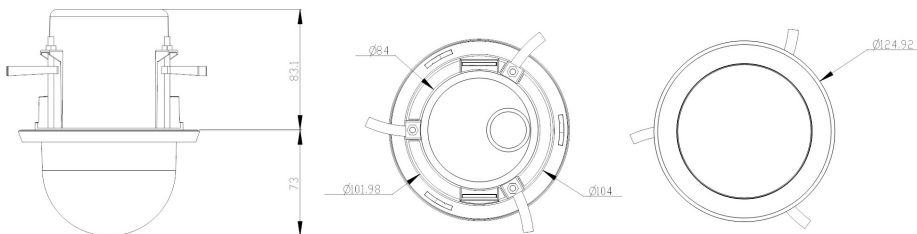
## SY-ICD3-LLX / SY-ICD3-S-LLX

The Synectics In Ceiling Dome camera matches great performance with ultra compact aesthetics.



The Synectics full real-time 2MP HD multi-stream fixed in ceiling dome IP camera is equipped with a Sony Exmor™ progressive scan CMOS sensor providing outstanding video resolution. The in ceiling dome provides full 1080P HP 50/60fps streaming or true WDR at 25/30fps.

Coupled with its 3x AF zoom lens and ultra compact in ceiling plenum mounting it makes the ideal choice for all in ceiling locations.



# Specifications

CAMERA		SY-ICD3-LLX / SY-ICD3-S-LLX*1
Image Sensor	2MP Sony 1/2.8" Progressive CMOS	
Effective Pixels	1920 (H) x 1080 (V)	
Resolution	Full HD 1080P / SXGA / HD 720P / XGA / SVGA / D1 / VGA / CIF / QCIF @50/60fps or 25/30fps (True WDR)	
Min Illumination Colour	0.01 Lux	
Min Illumination B&W	0.0005 Lux	
Shutter Speed	1 ~ 1/10000 sec	
LENS		
Lens Mount	N/A	
Lens	3x AF / 3 ~ 9mm	
FOV	107.2° (Wide); 36.1° (Tele)	
F Number	F1.3 (Wide), F2.2 (Tele)	
P Iris	Y	
Focus Mode	Auto, Push AF	
Digital Zoom	16x	
PTZ OPTIONS		
Pan Travel	N/A	
Tilt Travel	N/A	
Manual Speed	N/A	
Presets	N/A	
Preset Accuracy	N/A	
Preset Speed	N/A	
Sequence	N/A	
Auto Pan	N/A	
Cruise	N/A	
Proportional Pan /Tilt	N/A	
Home Function	N/A	
Auto Flip	N/A	
Image Rotation	Flip / Mirror / Inverse / Portrait	
STREAMING OPTIONS		
Compression	H.264	
ONVIF Profile	S	
Stream	PAL: H.264 1080P(50 fps) + H.264/MJPEG D1(50 fps) NTSC: H.264 1080P(60 fps) + H.264/ MJPEG D1 (30 fps)	
Stream 1 Max Resolution and FPS	H.264 1080P @ 60 fps	
Stream 2 Max When Stream 1 Set Max Resolution and FPS	H.264/MJPEG D1 @ 60 fps	
Stream 1 1080P Resolution and Max FPS	H.264 1080P @ 60 fps	
Stream 2 Max when Stream 1 Set 1080P Resolution and Max FPS	H.264/MJPEG D1 @ 60 fps	

OPERATION	
ICR	Auto / On / Off / Smart
LED Numbers	N/A
LED Distance	N/A
White Balance	Manual / AWB / ATW / One Push
NR	3D
BLC	On / Off
WDR	True WDR (>120dB)
DIS / EIS	Y
Motion Detection	On / Off / Schedule
Privacy Mask Type	8 Colours / 5 Sets
Tamper Alarm	On / Off / Schedule
Audio Type	Line in / Line Out, 5 of 9 Pin Terminal Block
Audio In	G.711 / G.726
Audio Out	G.711 / G.726
Audio Sample Rate	8000
Analogue Out	Y
Heater	N/A
Fan	N/A
Alarm Input	1 Set 5V 10kΩ Pull Up
Alarm Output	1 Set Photo Relay Output 300V DC / AC
Event Notification	HTTP / FTP / SMTP
SD Card Support	microSDHC 32GB
Ethernet Connector	RJ-45 Cable
Power Connector	3 Pin Terminal Block
I/O Connector	4 of 9 Pin Terminal Block
Protocol	IPv4/v6, TCP/IP, UDP, RTP, RTSP, HTTP, HTTPS, ICMP, FTP, SMTP, DHCP, PPPoE, UPnP, IGMP, SNMP, QoS, ONVIF S
Security	HTTPS / IP Filter / IEEE 802.1X

ENVIRONMENTAL	
Operating Temperature	-30°C ~ 55°C (14° ~ 122°F)
Storage Temperature	-20°C ~ 65°C (-4° ~ 149° F)
Humidity	10% ~ 90%, No Condensation
Vandal Resistant	N/A
IP Rating	N/A

GENERAL	
Power*2	DC 12V / PoE (802.3af)
Power Priority 1	PoE
Power Priority 2	DC
Power Priority 3	N/A
Power Failover	Using DC and PoE
PoE Classification	Class 0
Power Consumption (Total Unit)	Max: 8.74W TBC
Dimensions	∅ 124.9 x TBC mm / ∅ 4.9 x TBC"
Weight	TBC
Certification	CE / FCC

NOTE: \*1 Smoked Bubble Option. \*2 If multiple power inputs are to be used simultaneously on the camera (such as AC power + PoE or DC power + PoE) all power supplies must be isolated power supplies. If non-isolated power supplies are deployed, they must be used in conjunction with appropriate isolation between each individual camera and the non-isolated power supply.

## Synectics

sales@synecticsglobal.com

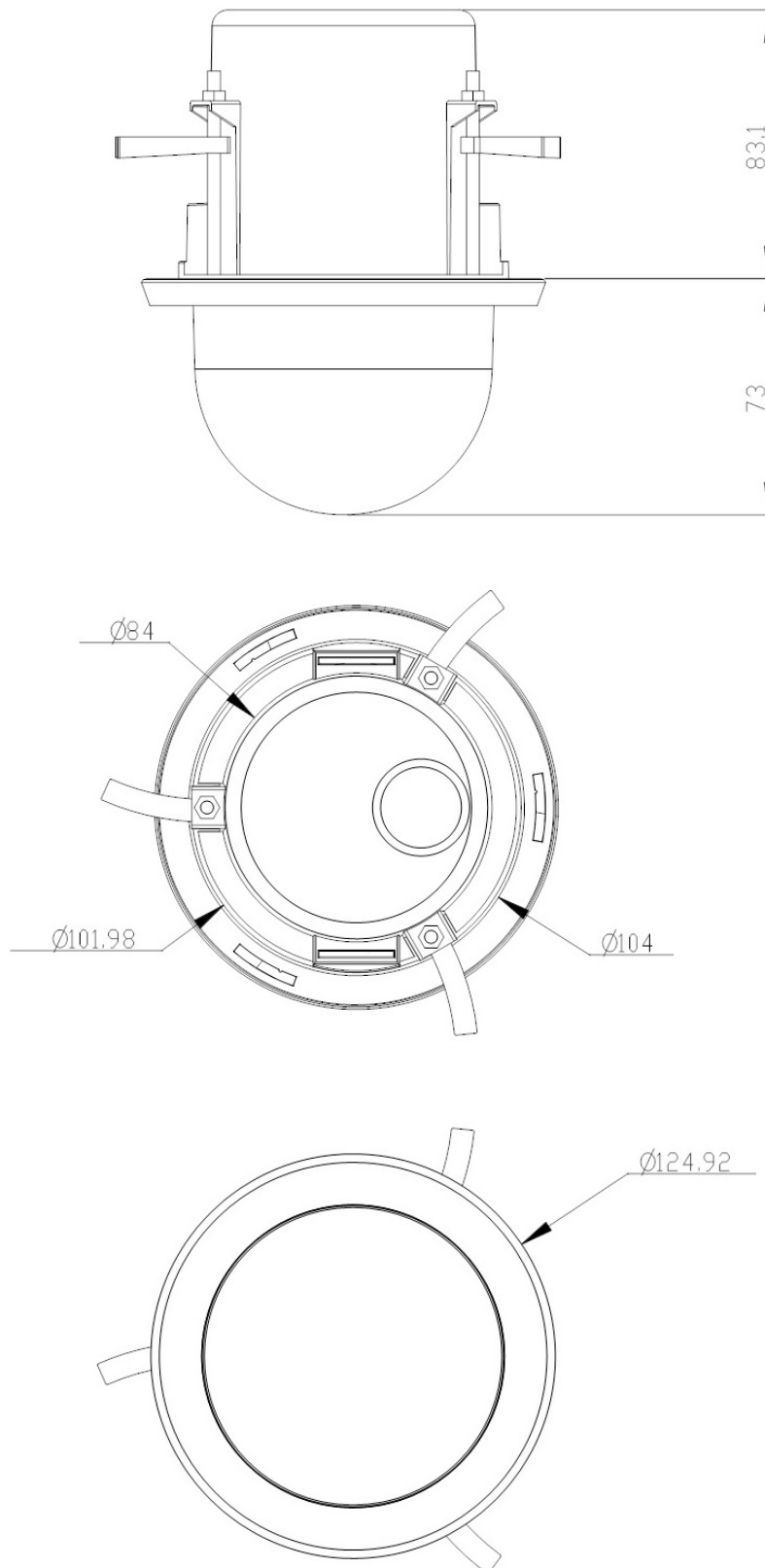
**synecticsglobal.com**

Specifications subject to change. E & OE.

Literature Reference: SYICD3/0617/A4 Iss 4

Copyright © Synectic Systems Group Limited, Synectic Systems, Inc., Synectic Systems (Asia) Pte. Limited 2017. All Rights Reserved.

## Diagrams



Cut hole size: 104 mm